

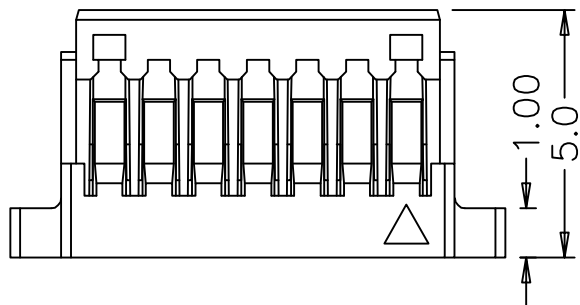
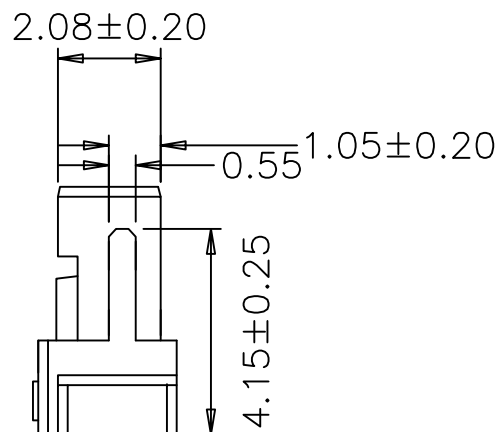
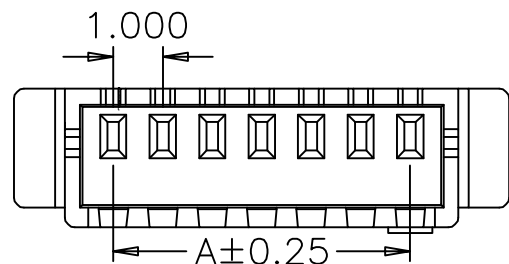
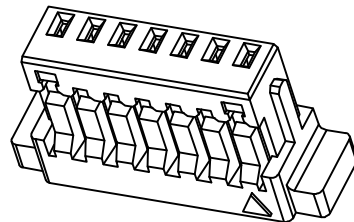
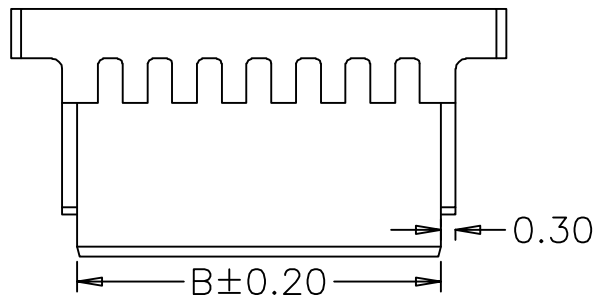
Features:

- * Available in 02 through 16 Circuits
- * Material: Nylon66 94V-0
- * Accepts E1002 Crimp Terminal
- * Mates with E1002W00 or E1002W90 Series Wafer

E1002H00-NPX-X-XX-NK
 ① ② ③④⑤ ⑥ ⑦

- ① Series No.
- ② H90 : Side Contact
H00 : Up Contact
- ③ No. of Circuits
- ④ X : Product color(A--Y)
Blank : Natural type
- ⑤ Z : 灼热丝750度
- ⑥ HF : Halogen Free
Blank : ROHS
- ⑦ NK : No Mark
Blank : Mark

Poles	Dimensions (mm)	
	A	B
02	1.00	2.34
03	2.00	3.34
04	3.00	4.34
05	4.00	5.34
06	5.00	6.34
07	6.00	7.34
08	7.00	8.34
09	8.00	9.34
10	9.00	10.34
11	10.00	11.34
12	11.00	12.34
13	12.00	13.34
14	13.00	14.34
15	14.00	15.34
16	15.00	16.34



④				GENERAL TOLERANCE	UNIT: mm	DATE	TITLE:
③				.X ± 0.25	X° ± 1°	DRAWN: 朱佑武	JST 1.00mm Housing
②				.XX ± 0.15	.X° ±	CHECKED: 张自豪	PROJECT
①				.XXX ± 0.10	.XX° ±	APPROVED: 张自豪	PART NO. E1002H00-NPX-X-XX-XX
LTR	NAME	DATE	VERSION RECORD				DRAWING NO. E1002H

东莞市宏欣蓝电子有限公司



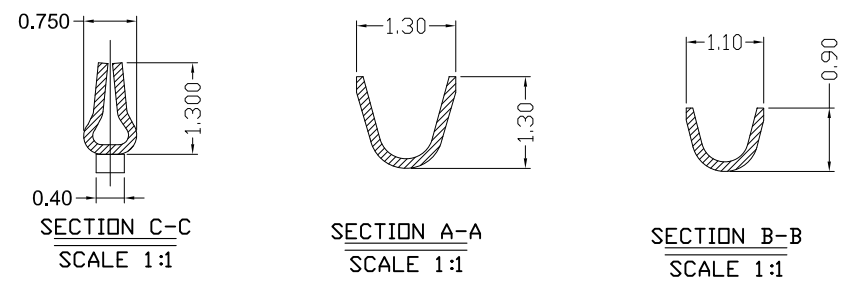
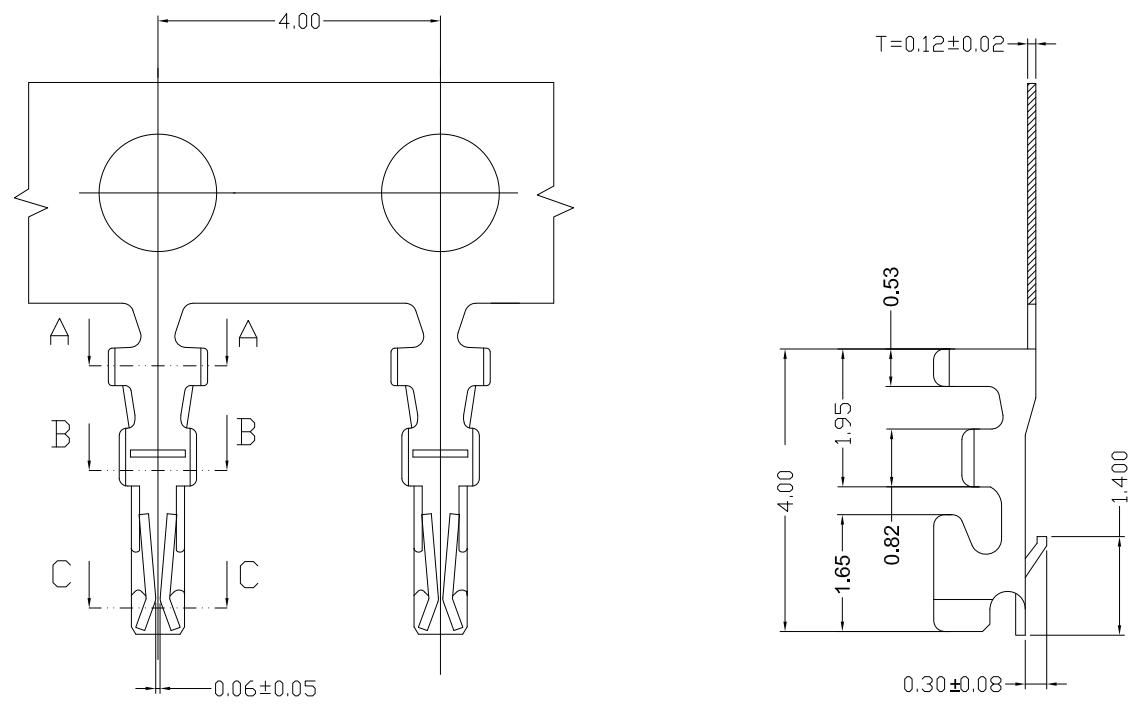
由 Autodesk 教育版产品制作

由 Autodesk 教育版产品制作

- Specifications :
- Voltage rating: 50V AC / DC
 - Current rating: 1A AC / DC
 - Withstanding voltage: 500V AC/minute
 - Temperature range: -25°C~+85°C
 - Insulation resistance: ≥100MΩ
 - Contact resistance: ≤20mΩ
 - After environmental testing: ≤40mΩ

Note: E1002TOP-XX-XX
空码: Mark
NK: NO Mark

Finish		
5A--Gold-flash	5B--2u"	5C--3u"
5D--4u"	5E--5u"	5F--10u"
5G--15u"	5H--30u"	5I--50u"
0A--Gold-flash	0B--2u"	0C--3u"
0D--4u"	0E--5u"	0F--10u"
0G--15u"	0H--30u"	0I--50u"



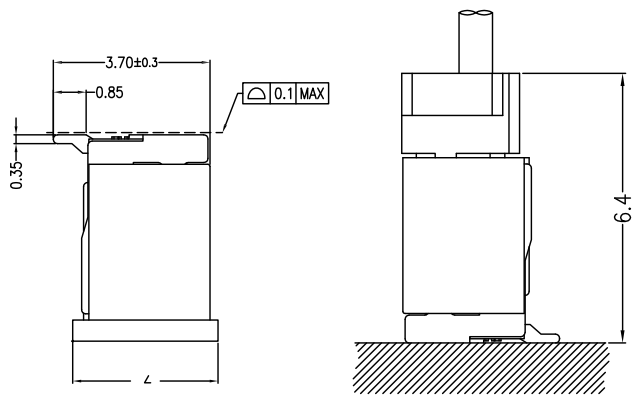
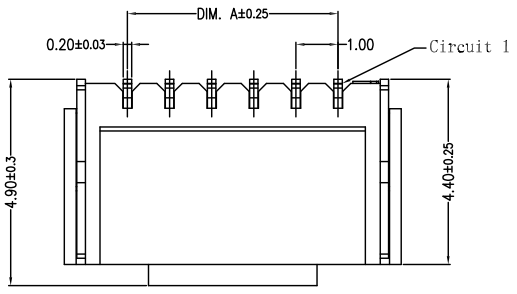
Suitable for E1002 series Housing

Part No	Wire Range	Insulation O.D.	Material	Finish
E1002TOP-2E-XX	AWG#28~#32	0.80mm(max)	Phosphor Bronze	Stamping Before Plating:30u" Ni;70u"Sn
E1002TOP-5X-XX	AWG#28~#32	0.80mm(max)	Phosphor Bronze	Stamping Before Plating:30u" Ni; Gold-plated overall
E1002TOP-0X-XX	AWG#28~#32	0.80mm(max)	Phosphor Bronze	Stamping Before Plating:50-100u" Ni; Gold-plated contact area

④	GENERAL TOLERANCE			UNIT: mm		DATE		TITLE: JST 1.00mm Terminal			东莞市宏欣蓝电子有限公司		
	.X ± 0.30	X° ± 1°		DRAWN: 朱佑武	2015.8.31								
	③	.XX ± 0.20			.X° ±		CHECKED: 张自豪	2015.8.31		PROJECT	PART NO.	E1002TOP-XX-XX	
		.XXX ± 0.10			.XX° ±		APPROVED: 张自豪	2015.8.31		VER. B	SCALE: 1/1	N/A	DRAWING NO.
①	张自豪	2021.03.23	增加镀半金规格										
LTR	NAME	DATE	VERISION RECORD										

由 Autodesk 教育版产品制作

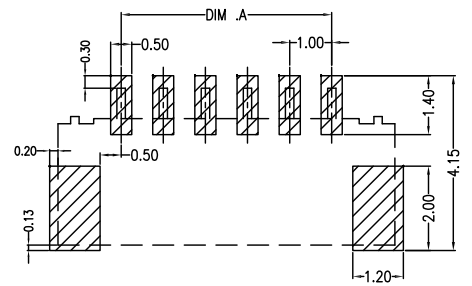
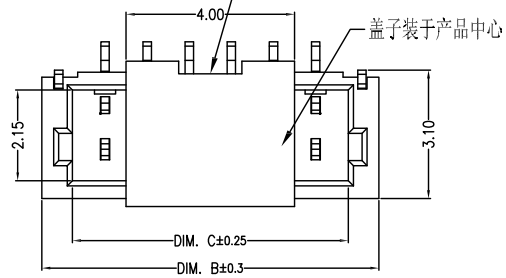
由 Autodesk 教育版产品制作



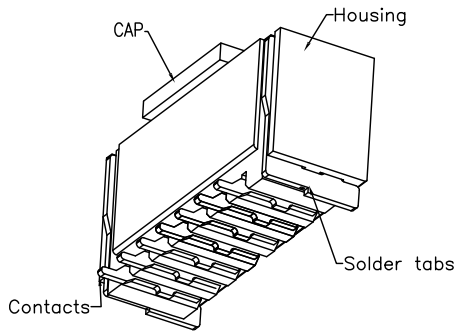
Assembly Layout

Specifications:
 Contact resistance: $\leq 20m\Omega$
 Insulation resistance: $\geq 100M\Omega$
 Rated voltage: 50V AC DC
 Rated current: 1.0A AC DC **A3**
 Withstand voltage: 500V AC/minute
 Temperature range: $-25^{\circ}C \sim +105^{\circ}C$
 Housing: LCP UL94V-0 (Natural/Black)
 CAP: LCP UL94V-0, Natural
 Contacts: Phosphor bronze (Matte sn/Gold plating)
 Solder tabs: Phosphor bronze/Matte sn

缺口为浇口工艺，减少自动机加盖卡料，
 缺口位置不固定，也可在另一侧



Recommend PCB Layout



Ordering code:

E1002W00-NP-S X X X XX
 ①②③④

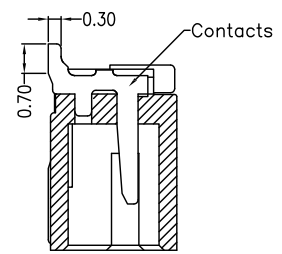
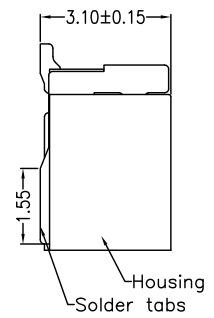
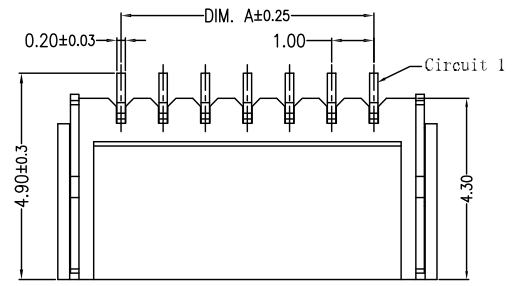
- ① N=Halogen Free R=RoHS
- ② Material: 9=Nylon 9T L=LCP
- ③ Color: B=Black E=Beige
- ④ Plating code: T1=Tin plated
G1=Gold-flash

Circuit	Dimensions (mm)		
	DIM. A	DIM. B	DIM. C
02	1.00	4.00	2.45
03	2.00	5.00	3.45
04	3.00	6.00	4.45
05	4.00	7.00	5.45
06	5.00	8.00	6.45
07	6.00	9.00	7.45
08	7.00	10.00	8.45
09	8.00	11.00	9.45
10	9.00	12.00	10.45
11	10.00	13.00	11.45
12	11.00	14.00	12.45
13	12.00	15.00	13.45
14	13.00	16.00	14.45
15	14.00	17.00	15.45
16	15.00	18.00	16.45
20	19.00	22.00	20.45

				GENERAL TOLERANCE		UNIT: mm		DATE		TITLE:			东莞市宏欣蓝电子有限公司			
				.X ± 0.30		X° ± 5°		DRAWN: 张自豪 2013.04.12		JST SH 1.00mm SMT 180度 Wafer						
				.XX ± 0.20		.X° ± 2°		CHECKED:		VER. SCALE: N/A			PROJECT		PART NO. E002W00-NP-SXXXXX	
LTR NAME DATE VERISION RECORD				.XXX ± 0.10		.XX° ± 1°		APPROVED:		A0 SHEET: 1/1			DRAWING NO.		E1002W00	
1	2		3		4		5		6		7		8		9	

1 2 3 4 5 6 7 8 9

A



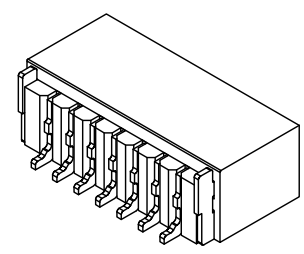
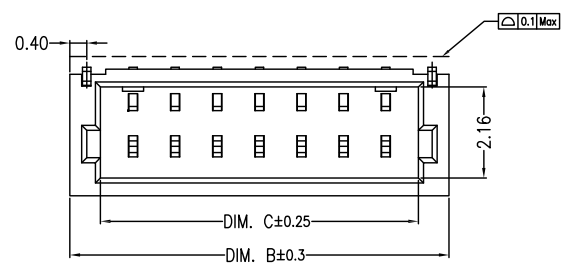
Specifications.

Contact resistance: $\leq 20m\Omega$
 Insulation resistance: $\geq 100M\Omega$
 Rated voltage: 50V AC DC
 Rated current: 1.0A AC DC
 Withstand voltage: 500V AC/minute
 Temperature range: $-25^{\circ}C \sim +105^{\circ}C$
 Housing: LCP UL94V-0 (Natural/Black)
 Contacts: Phosphor bronze (Matte sn/Gold plating)
 Solder tabs: Phosphor bronze/Matte sn

A

B

B



Ordering code:

E1002W90-NP-S X X X XX
 ①②③④

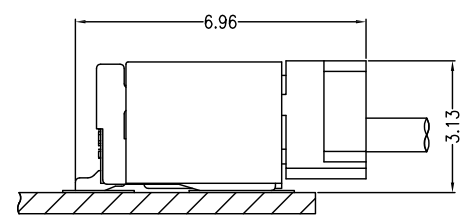
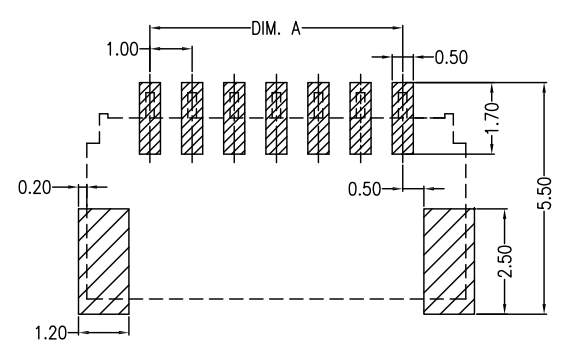
- ① N=Halogen Free R=RoHS
- ② Material: 9=Nylon 9T L=LCP
- ③ Color: B=Black E=Beige
- ④ Plating code: T1=Tin plated
G1=Gold-flash

C

C

D

D



Assembly Layout

Recommend PCB Layout

Circuit	Dimensions (mm)		
	DIM. A	DIM. B	DIM. C
02	1.00	4.00	2.45
03	2.00	5.00	3.45
04	3.00	6.00	4.45
05	4.00	7.00	5.45
06	5.00	8.00	6.45
07	6.00	9.00	7.45
08	7.00	10.00	8.45
09	8.00	11.00	9.45
10	9.00	12.00	10.45
11	10.00	13.00	11.45
12	11.00	14.00	12.45
13	12.00	15.00	13.45
14	13.00	16.00	14.45
15	14.00	17.00	15.45
16	15.00	18.00	16.45
20	19.00	22.00	20.45

F

F

				GENERAL TOLERANCE		UNIT: mm		DATE		TITLE:		东莞市宏欣蓝电子有限公司			
				.X ± 0.30 X° ± 5°		DRAWN: 张自豪		2013.04.12		JST SH 1.00mm SMT 90度 Wafer					
				.XX ± 0.20 .X° ± 2°		CHECKED:				VER. SCALE: N/A		PROJECT		PART NO. E002W90-NP-SXXXXX	
LTR NAME DATE VERISION RECORD				.XXX ± 0.10 .XX° ± 1°		APPROVED:				A0 SHEET: 1/1		DRAWING NO.		E1002W90	

1 2 3 4 5 6 7 8 9