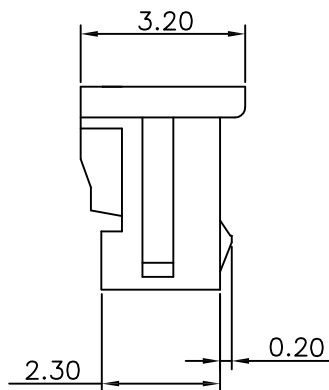
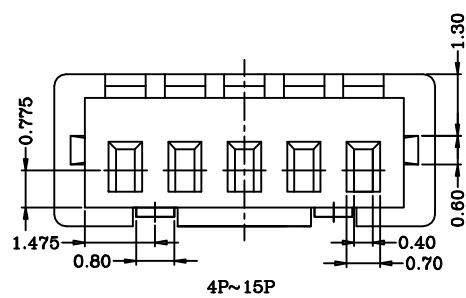
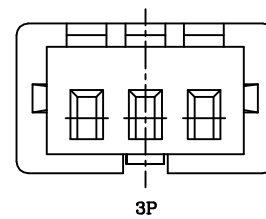
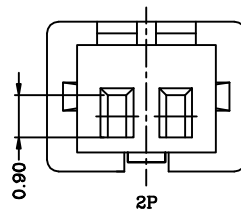
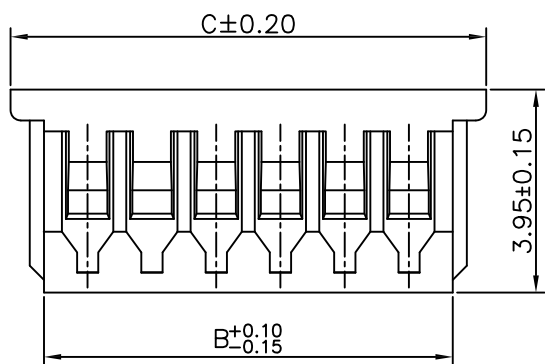


■ Specifications :

- Voltage rating: 125V AC / DC
- Current rating: 1A AC / DC
- Withstanding voltage: 250V AC/minute
- Temperature range: -25°C~+85°C
- Insulation resistance: ≥100MΩ
- Contact resistance: ≤20mΩ
- After environmental testing: ≤40mΩ



E1251H00-NP X- XX -XX
① ② ③ ④

- ① No. of Circuits
- ② X : Product color(A--Y)
A : Black type
Blank : White
- ③ HF : Halogen Free
Blank : RoHS
- ④ NK : No Mark
Blank : Mark

Dimensional Ordering Information:			
Part No	Dimensions		
	A	B	C
2P		3.00	4.25
3P	2.50	4.25	5.50
4P	3.75	5.50	6.75
5P	5.00	6.75	8.00
6P	6.25	8.00	9.25
7P	7.50	9.25	10.50
8P	8.75	10.50	11.75
9P	10.00	11.75	13.00
10P	11.25	13.00	14.25
11P	12.50	14.25	15.50
12P	13.75	15.50	16.75
13P	15.00	16.75	18.00
14P	16.25	18.00	19.25
15P	17.50	19.25	20.50
16P	18.75	20.50	21.75

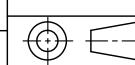
④			
③			
②			
①			
LTR	NAME	DATE	VERSION RECORD

GENERAL TOLERANCE		UNIT: mm		DATE	
.X ± 0.25	X° ± 1°	DRAWN:	朱佑武	2013.1.2	
.XX ± 0.15	.X° ±	CHECKED:	张自豪	2013.1.2	
.XXX ± 0.10	.XX° ±	APPROVED:	张自豪	2013.1.2	

TITLE:		
Molex1.25mm Housing		
VER.	SCALE:	N/A
A	SHEET:	1/1

PROJECT			PART NO.			E1251H00-NPX-XX-XX		
DRAWING NO.			E1251H					

HLTC 东莞市宏欣蓝电子有限公司
Dongguan Hongxinlan Electronics Co.,Ltd.



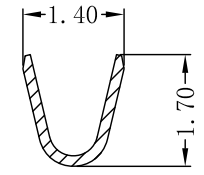
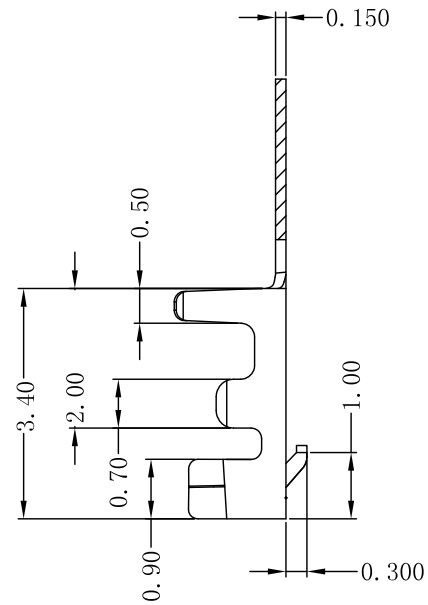
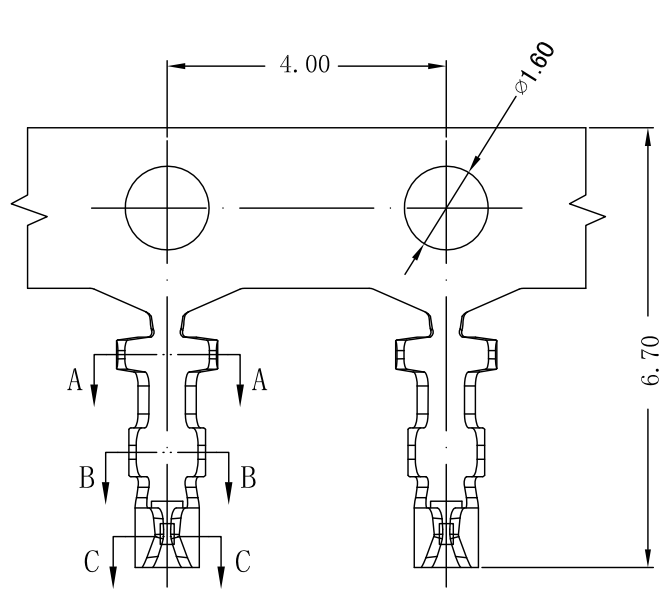
A

B

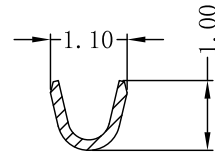
由 Autodesk 教育版产品制作

E

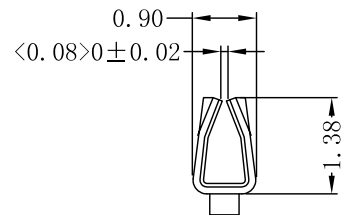
F



SECTION: A-A
SCALE: 1:1



SECTION: B-B
SCALE: 1:1



SECTION: C-C

■ Specifications :

- Voltage rating: 125V AC / DC
- Current rating: 1A AC / DC
- Withstanding voltage: 250V AC/minute
- Temperature range: -25° C~+85° C
- Insulation resistance: $\geq 100M\Omega$
- Contact resistance: $\leq 20m\Omega$
- After environmental testing: $\leq 40m\Omega$

Note: E1251TOP-XX-NK

NK: No Mark

Finish

- 5A--Gold-flash
- 5B--2u"
- 5C--3u"
- 5D--4u"
- 5E--5u"
- 5F--10u"
- 5G--15u"
- 5H--30u"
- 5I--50u"
- 0C--半金3u"电镀前镍底:50-100u"

E1251T0P-5X-NK	Phosphor Bronze	AWG#28-32	1.00mm(Max)	Gold-plated overall	15,000 PCS
E1251T0P-2E-NK	Phosphor Bronze	AWG#28-32	1.00mm(Max)	Plating:Nickel 50u"+Tin 120u"	15,000 PCS
Part No.	Material	Wire Range	Insulation O.D.	Finish	Qty/reel

④				GENERAL TOLERANCE	UNIT: mm	DATE	TITLE: Molex 1.25mm Housing			HLTC 东莞市宏欣蓝电子有限公司 Dongguan Hongxinlan Electronics Co.,Ltd.			
③				.X ± 0.20	X° ± 1°	DRAWN: 朱佑武							2013.1.2
②				.XX ± 0.10	.X° ± 0.5°	CHECKED: 张自豪	2013.1.2	VER.	SCALE:	N/A	PROJECT	PART NO.	E1251T0P-XX-NK
①				.XXX ± 0.05	.XX° ± 0.2°	APPROVED: 张自豪	2013.1.2	A	SHEET:	1/1	DRAWING NO.	E1251T	
LTR	NAME	DATE	VERSION RECORD										

A

B

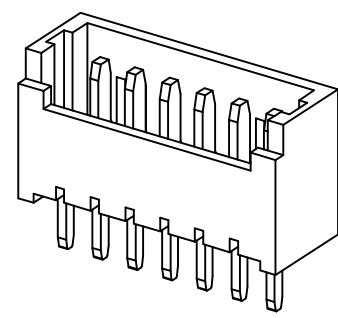
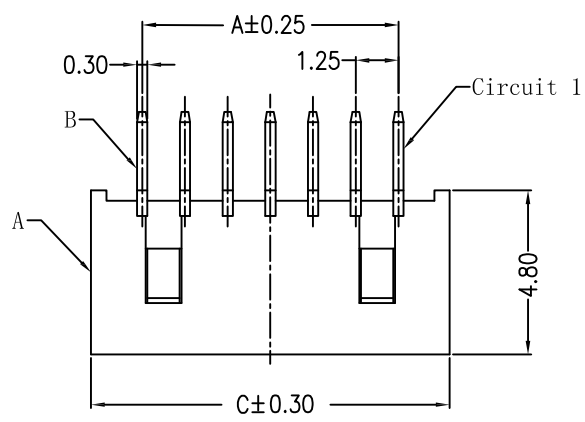
由 Autodesk 教育版产品制作

E

F

1 2 3 4 5 6 7 8 9

A

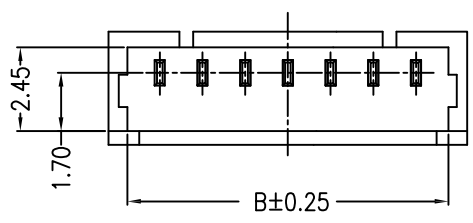


- ◆ SPECIFICATIONS
- Current rating: 1A AC, DC
 - Voltage rating: 125V AC, DC
 - Temperature range: -25°C ~ +85°C
 - Insulation resistance: 100MΩ Min.
 - Withstanding voltage: 250V AC/ minute.
 - Contact resistance: 20mΩ Max.

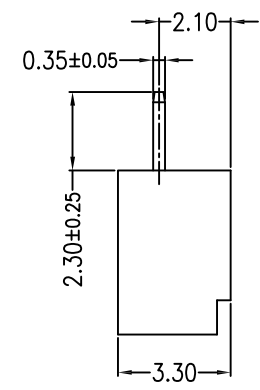
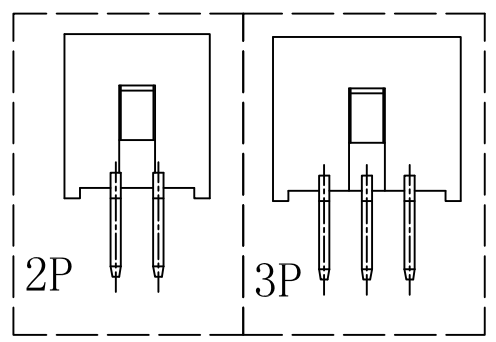
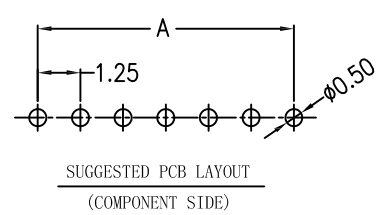
Material:
 Insulator: LCP UL 94V-0
 Contact: Brass
 Plating: Tin plated over Nickel
 Circuits: 2~16
 Suitable: E1251 series Housing

Ordering code:
 E1251W00-NP-X X X XX
 ①②③④

- ① N=Halogen Free R=RoHS
- ② Material: 4=PA46 L=LCP
- ③ Color: B=Black E=Beige
- ④ Plating code: T1=Tin plated
G1=Gold-flash



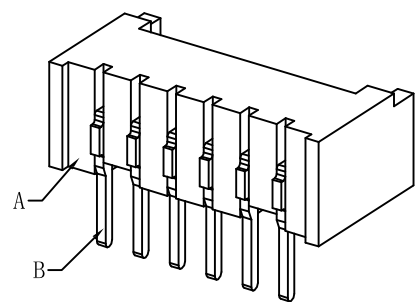
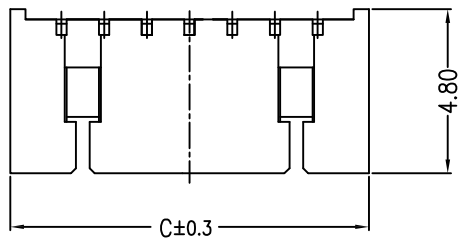
PART NO.	Dimensions		
	A	B	C
02P	-	3.20	4.25
03P	2.50	4.45	5.50
04P	3.75	5.70	6.75
05P	5.00	6.95	8.00
06P	6.25	8.20	9.25
07P	7.50	9.45	10.50
08P	8.75	10.70	11.75
09P	10.00	11.95	13.00
10P	11.25	13.20	14.25
11P	12.50	14.45	15.50
12P	13.75	15.70	16.75
13P	15.00	16.95	18.00
14P	16.25	18.20	19.25
15P	17.50	19.45	20.50
16P	18.75	20.70	21.75



F

				GENERAL TOLERANCE		UNIT: mm		DATE		TITLE:			东莞市宏蓝电子有限公司			
				.X ± 0.30	X° ± 5°	DRAWN: 张自豪		2013.08.24		MX 1.25 DIP 180° Wafer						
				.XX ± 0.25	.X° ± 2°	CHECKED:				VER.	SCALE:	N/A	PROJECT	PART NO.	E1251W00-NP-RXXXX	
LTR NAME DATE VERISION RECORD				.XXX ± 0.10	.XX° ± 1°	APPROVED:				A1	SHEET:	1/1	DRAWING NO.	E1251W00-DIP		

1 2 3 4 5 6 7 8 9

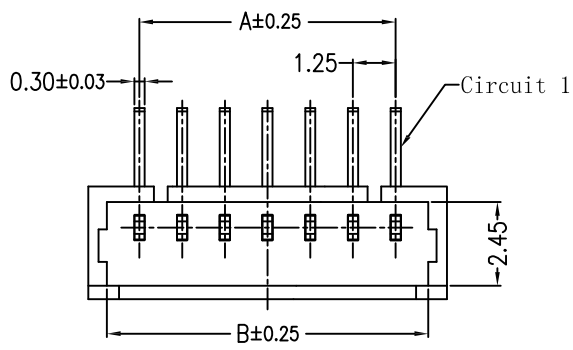


- ◆ SPECIFICATIONS
- Current rating: 1A AC, DC
 - Voltage rating: 125V AC, DC
 - Temperature range: -25°C ~ +85°C
 - Insulation resistance: 100MΩ Min.
 - Withstanding voltage: 250V AC/ minute.
 - Contact resistance: 20mΩ Max.

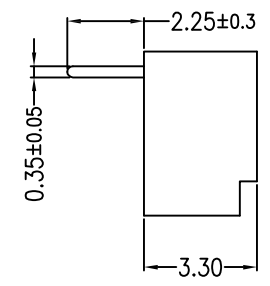
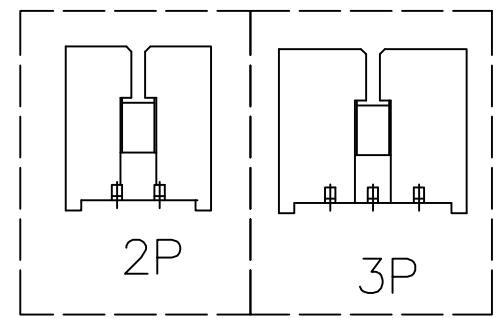
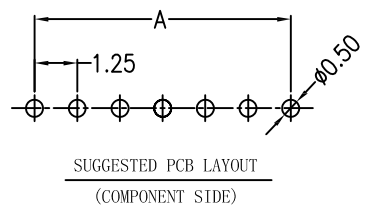
Material:
 Insulator: LCP UL 94V-0
 Contact: Brass
 Plating: Tin plated over Nickel
 Circuits: 2~16
 Suitable: E1251 series Housing

Ordering code:
 E1251W90-NP-X X X XX
 ①②③④

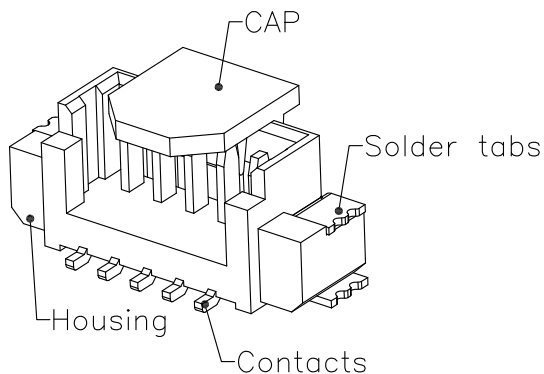
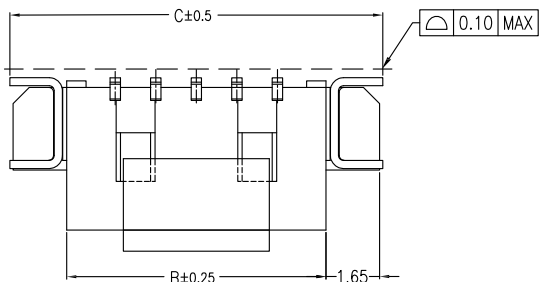
- ① N=Halogen Free R=RoHS
- ② Material: 4=PA46 L=LCP
- ③ Color: B=Black E=Beige
- ④ Plating code: T1=Tin plated
G1=Gold-flash



PART NO.	Dimensions		
	A	B	C
02P	-	3.20	4.25
03P	2.50	4.45	5.50
04P	3.75	5.70	6.75
05P	5.00	6.95	8.00
06P	6.25	8.20	9.25
07P	7.50	9.45	10.50
08P	8.75	10.70	11.75
09P	10.00	11.95	13.00
10P	11.25	13.20	14.25
11P	12.50	14.45	15.50
12P	13.75	15.70	16.75
13P	15.00	16.95	18.00
14P	16.25	18.20	19.25
15P	17.50	19.45	20.50
16P	18.75	20.70	21.75



				GENERAL TOLERANCE		UNIT: mm		DATE		TITLE:			东莞市宏蓝电子有限公司			
				.X ± 0.30	X° ± 5°	DRAWN: 张自豪		2013.12.18		MX 1.25 DIP 90° Wafer						
				.XX ± 0.25	.X° ± 2°	CHECKED:				VER.	SCALE:	N/A	PROJECT	PART NO.	E1251W90-NP-RXXXX	
LTR NAME DATE VERISION RECORD				.XXX ± 0.10	.XX° ± 1°	APPROVED:				A1	SHEET:	1/1	DRAWING NO.	E1251W90-DIP		
1	2	3	4	5	6	7	8	9								



◆ SPECIFICATIONS

- Current rating: 1A AC, DC
- Voltage rating: 125V AC, DC
- Temperature range: -25°C ~ +85°C
- Insulation resistance: 100MΩ Min.
- Withstanding voltage: 250V AC/ minute.
- Contact resistance: 20mΩ Max.

Material:

Insulator: LCP UL 94V-0
 Contact: Phosphor bronze
 Solder tabs: Brass

Plating: Tin plated over Nickel

Circuits: 2~16

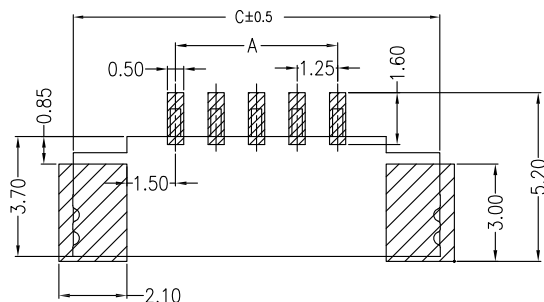
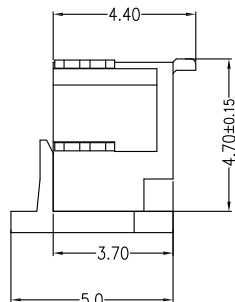
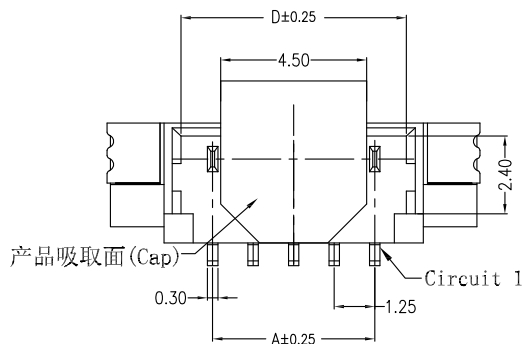
Suitable: E1251 series Housing

Ordering code:

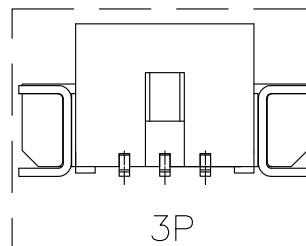
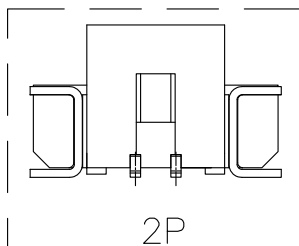
E1251W00-NP-SX X X XX

①②③④

- ① N=Halogen Free R=RoHS
- ② Material: 4=PA46 L=LCP
- ③ Color: B=Black E=Beige
- ④ Plating code: T1=Tin plated
G1=Gold-flash



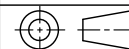
SUGGESTED PCB LAYOUT

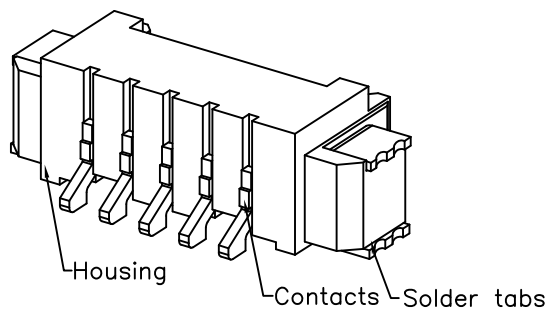
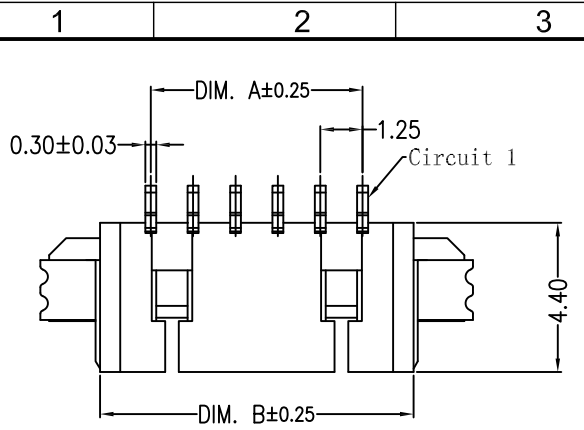


PART NO.	Dimensions			
	A	B	C	D
02P	-	4.25	7.75	3.20
03P	2.50	5.50	9.00	4.45
04P	3.75	6.75	10.25	5.70
05P	5.00	8.00	11.50	6.95
06P	6.25	9.25	12.75	8.20
07P	7.50	10.50	14.00	9.45
08P	8.75	11.75	15.25	10.70
09P	10.00	13.00	16.50	11.95
10P	11.25	14.25	17.75	13.20
11P	12.50	15.50	19.00	14.45
12P	13.75	16.75	20.25	15.70
13P	15.00	18.00	21.25	16.95
14P	16.25	19.25	22.75	18.20
15P	17.50	20.50	24.00	19.45
16P	18.75	21.75	25.25	20.70

				GENERAL TOLERANCE		UNIT: mm		DATE		TITLE:		
				.X ± 0.30		X° ± 5°		DRAWN: 张自豪 2014.03.19		MX 1.25 SMT 180° Wafer		
				.XX ± 0.25		.X° ± 2°		CHECKED:		PROJECT		
				.XXX ± 0.10		.XX° ± 1°		APPROVED:		PART NO. E1251W00-NP-SXXXXX		
LTR	NAME	DATE	VERSION RECORD	.XXX ± 0.10		.XX° ± 1°		APPROVED:		VER.	SCALE:	N/A
1	2	3	4	5	6	7	8	9	A1	SHEET:	1/1	DRAWING NO. E1251W00-SMT

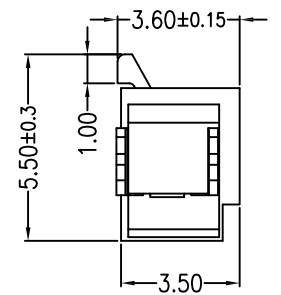
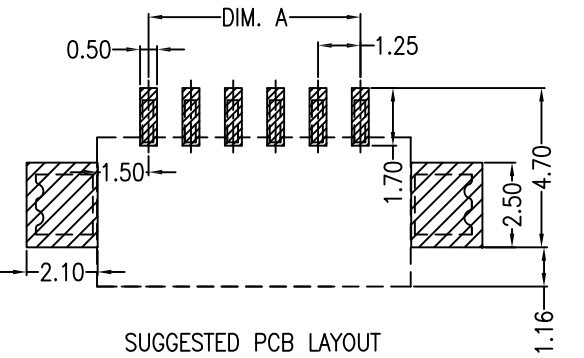
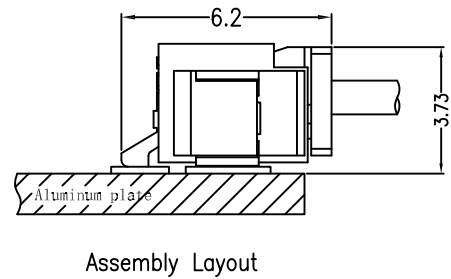
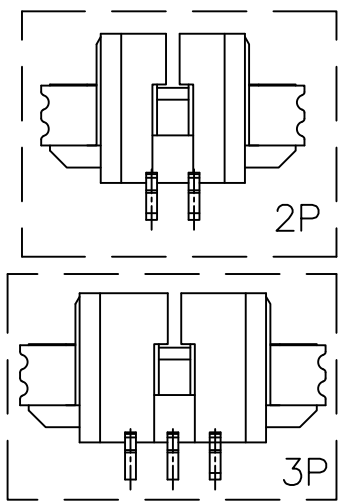
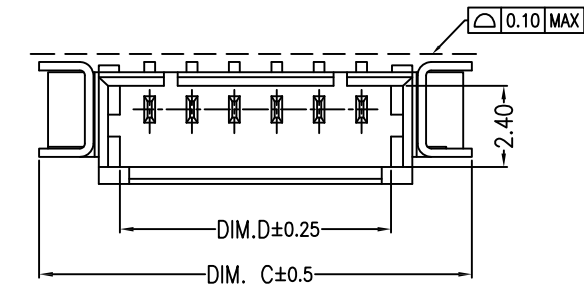
东莞市宏欣蓝电子有限公司





- ◆ SPECIFICATIONS
- Current rating: 1A AC, DC
 - Voltage rating: 125V AC, DC
 - Temperature range: -25°C ~ +85°C
 - Insulation resistance: 100MΩ Min.
 - Withstanding voltage: 250V AC/ minute.
 - Contact resistance: 20mΩ Max.

Material:
 Insulator: LCP UL 94V-0
 Contact: Phosphor bronze
 Solder tabs: Brass
 Plating: Tin plated over Nickel
 Circuits: 2~16
 Suitable: E1251 series Housing



Ordering code:
 E1251W90-NP-SX X X XX
 ①②③④

① N=Halogen Free R=RoHS
 ② Material: 4=PA46 L=LCP
 ③ Color: B=Black E=Beige
 ④ Plating code: T1=Tin plated
 G1=Gold-flash

PART NO.	Dimensions			
	A	B	C	D
02P	1.25	4.25	7.75	3.20
03P	2.50	5.50	9.00	4.45
04P	3.75	6.75	10.25	5.70
05P	5.00	8.00	11.50	6.95
06P	6.25	9.25	12.75	8.20
07P	7.50	10.50	14.00	9.45
08P	8.75	11.75	15.25	10.70
09P	10.00	13.00	16.50	11.95
10P	11.25	14.25	17.75	13.20
11P	12.50	15.50	19.00	14.45
12P	13.75	16.75	20.25	15.70
13P	15.00	18.00	21.25	16.95
14P	16.25	19.25	22.75	18.20
15P	17.50	20.50	24.00	19.45
16P	18.75	21.75	25.25	20.70

LTR	NAME	DATE	VERSION RECORD
1			
2			
3			

GENERAL TOLERANCE		UNIT: mm	DATE	TITLE:
.X ± 0.30	X° ± 5°	DRAWN: 张自豪	2013.12.19	MX 1.25 SMT 90° Wafer
.XX ± 0.25	.X° ± 2°	CHECKED:		VER. SCALE: N/A
.XXX ± 0.10	.XX° ± 1°	APPROVED:		A1 SHEET: 1/1

东莞市宏欣蓝电子有限公司			
PROJECT	PART NO.	E1251W90-NP-SXXXXX	
DRAWING NO.		E1251W90-SMT	