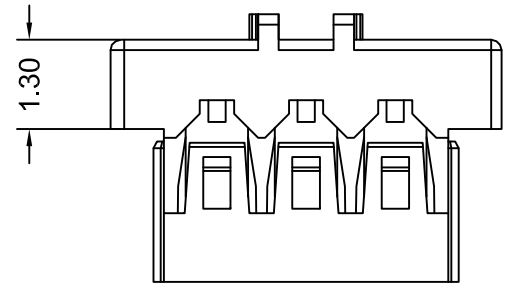
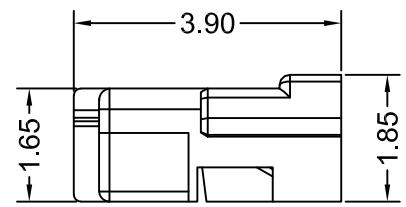
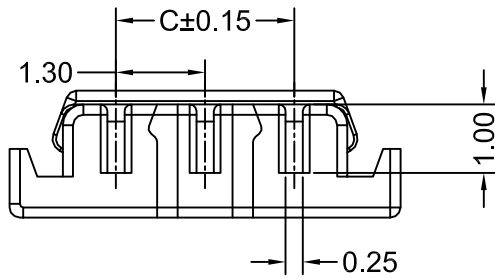
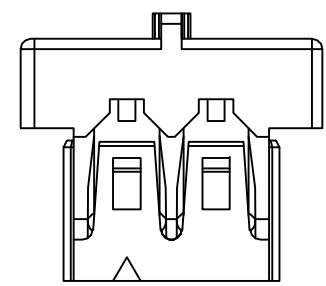


- Specifications :
- Voltage rating: 30V AC / DC
  - Current rating: 3.0A AC / DC
  - Withstanding voltage: 500V AC/minute
  - Temperature range: -25°C~+85°C
  - Insulation resistance: ≥100MΩ
  - Contact resistance: ≤20mΩ
  - After environmental testing: ≤40mΩ

Material:  
Material: Nylon66 UL 94V-0



3-12Pin Shape



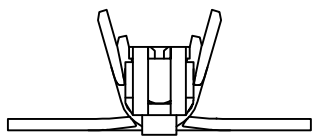
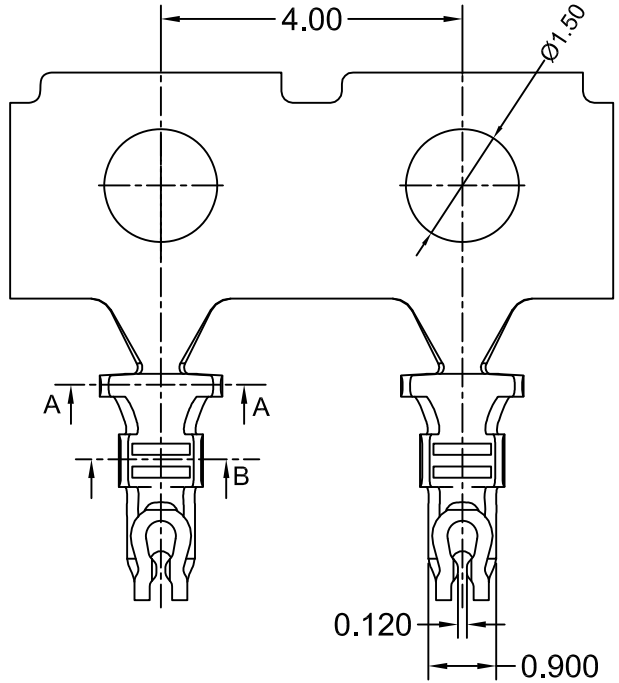
2Pin Shape

E1301H00-NP X-XX-XX  
① ② ③ ④

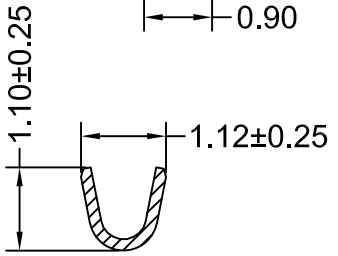
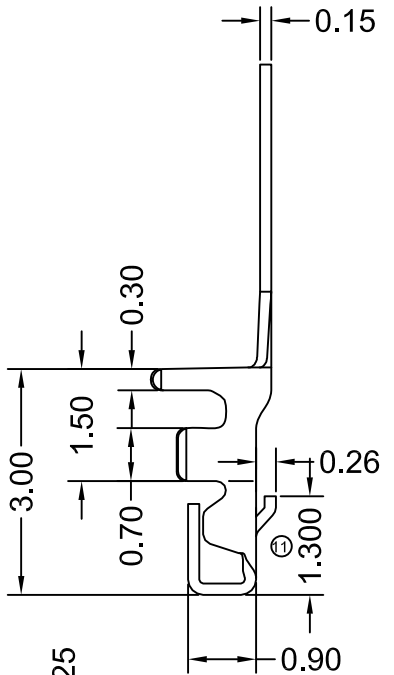
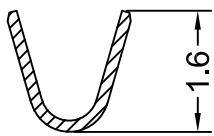
- ① No. of Circuits
- ② X : Product color(A--Y)  
A : Black type  
Blank : White
- ③ HF : Halogen Free  
Blank : Rohs
- ④ NK : No Mark  
Blank : Mark

Poles	Dimensions(mm)		
	A	B	C
2	3.15	2.85	1.30
3	4.45	4.15	2.60
4	5.75	5.45	3.90
5	7.05	6.75	5.20
6	8.35	8.05	6.50
7	9.65	9.35	7.80
8	10.35	10.65	9.10
9	12.25	11.95	10.40
10	13.55	13.25	11.70
11	14.85	14.55	13.00
12	16.15	15.85	14.30

F	④				GENERAL TOLERANCE	UNIT: mm	DATE	TITLE:			东莞市宏欣蓝电子有限公司			
	③				.X ± 0.30	X° ± 1°	DRAWN: 朱佑武	2020.12.15	Pitch1.30mm Crimp Style Connectors					
	②				.XX ± 0.20	.X° ±	CHECKED: 张自豪	2020.12.15	VER.	SCALE:	N/A	PROJECTION	PART NO.	E1301H00-NPX-XX-XX
	①				.XXX ± 0.10	.XX° ±	APPROVED: 张自豪	2020.12.15	A	SHEET:	1/1	DRAWING NO.	E1301H	
	LTR	NAME	DATE	VERSION RECORD										
	1				2									
					3									
					4									
					5									
					6									
					7									
					8									
					9									

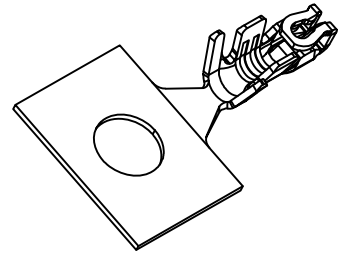


SECTION A-A  
SCALE 1:1



SECTION B-B  
SCALE 1:1

- Specifications :
- Voltage rating: 30V AC / DC
  - Current rating: 3.0A AC / DC
  - Withstanding voltage: 500V AC/minute
  - Temperature range: -40°C~+105°C
  - Insulation resistance: ≥100MΩ
  - Contact resistance: ≤20mΩ
  - After environmental testing: ≤30mΩ
  - Wire Range: AWG#26~28
  - Insulation O.D:0.98mm (Max)

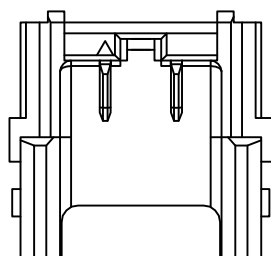


Note: E1301TOP-5A-XX

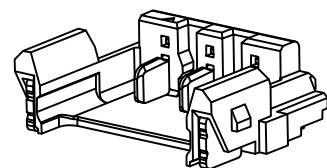
- 空码: Mark
- NK: No Mark
- Finish
- 5A--Gold flash(金)
- H--High conductivity copper
- 外形: 180°
- Terminal

F	④				GENERAL TOLERANCE		UNIT: mm		DATE		TITLE:				
	③				.X ± 0.30	X° ± 1°	DRAWN:	朱佑武	2020.12.15	Pitch 1.30mm Crimp Style Connectors					
	②				.XX ± 0.20	.X° ±	CHECKED:	张自豪	2020.12.15	VER.	SCALE:	N/A	PROJECTION	PART NO.	E1301TOP-XX-XX
	①				.XXX ± 0.10	.XX° ±	APPROVED:	张自豪	2020.12.15	A	SHEET:	1/1			
	LTR	NAME	DATE	VERSION RECORD											
	1	2	3	4	5	6	7	8	9						

东莞市宏欣蓝电子有限公司

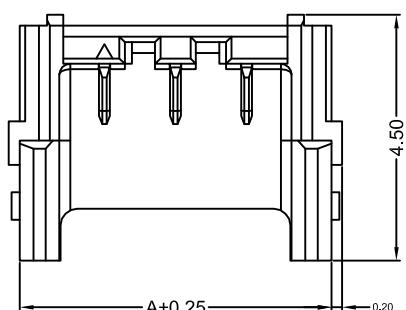


2Pin Shape

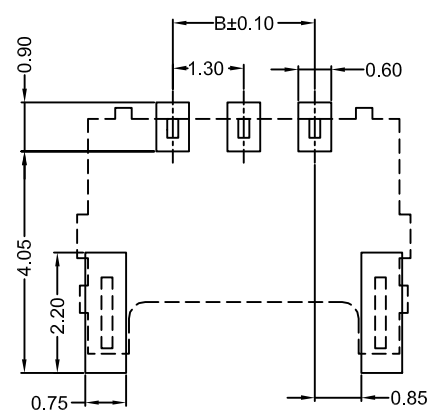


■ Specifications :

- Voltage rating: 30V AC / DC
- Current rating: 3.0A AC / DC
- Withstanding voltage: 500V AC/minute
- Temperature range: -25°C~+85°C
- Insulation resistance: ≥100MΩ
- Contact resistance: ≤20mΩ
- After environmental testing: ≤40mΩ
- Metal material:H-High conductivity copper



3~12Pin Shape

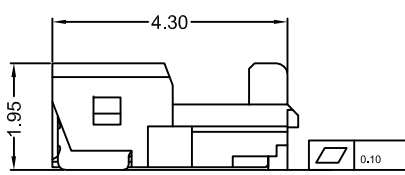
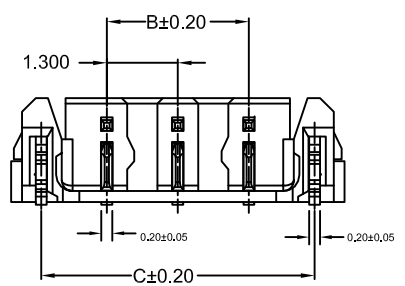


Recommended P.C.B Layout  
General Tolerance±0.05

Ordering code:

E1301W90-NP-S X X X XX  
①②③④

- ① N=Halogen Free R=RoHS
- ② Material: 4=Nylon 4T L=LCP
- ③ Color: B=Black E=Beige
- ④ Plating code: T1=Tin plated  
G1=Gold-flash



Poles	Dimensions (mm)		
	A	B	C
1x02	4.40	1.30	3.70
1x03	5.70	2.60	5.00
1x04	7.00	3.90	6.30
1x05	8.30	5.20	7.60
1x06	9.60	6.50	8.90
1x07	10.90	7.80	10.20
1x08	12.20	9.10	11.50
1x09	13.50	10.40	12.80
1x10	14.80	11.70	14.10
1x11	16.10	13.00	15.40
1x12	17.40	14.30	16.70

3Pin中间缺1PIN 视图  
料号为:E1301W90-3P-SR4BT1-1

④ ③ ② ①				GENERAL TOLERANCE	UNIT: mm	DATE	TITLE:			
				.X ± 0.30	X° ± 1°	DRAWN: 朱佑武	2021.03.10	Pitch1.30mm Crimp Style Connectors		
				.XX ± 0.20	.X° ±	CHECKED: 张自豪	2021.03.10	PROJECTION	PART NO.	E1301W90-NP-SXXXXX
				.XXX ± 0.10	.XX° ±	APPROVED: 张自豪	2021.03.10	VER. A	SCALE: 1/1	N/A
LTR	NAME	DATE	VERISION RECORD					DRAWING NO.	E1301W	
1	2	3	4	5	6	7	8	9		

**东莞市宏欣蓝电子有限公司**