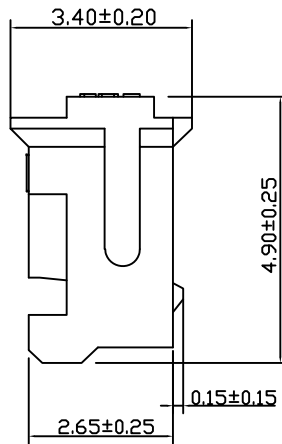
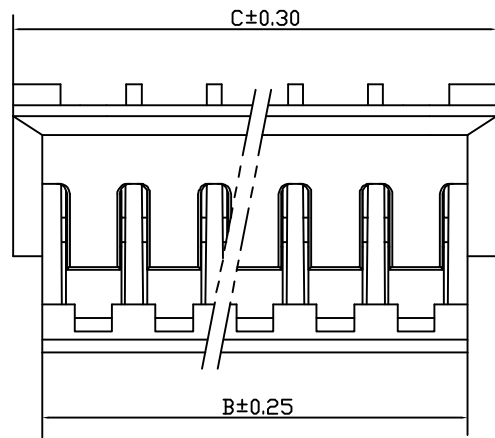


Specifications:
 Rated Voltage : 100V AC/DC
 Rated Current : 1A AC,DC
 Withstand Voltage : 500V AC/minute
 Contact Resistance : 20mΩ(MAX.)
 Insulation Resistance : 500MΩ(MIN.)
 Temperature Range : -25°C~+85°C
 Suitable E1501 Series Housing

Material: Insulator: Nylon 66 UL 94V-0
 Suitable E1501 Series Terminal
 Mates With E1501 Series Wafer



E1501H00-NPX-HF-NK

- ① Series No.
- ② H90 : Side Contact
H00 : Up Contact
- ③ No. of Circuits
- ④ X : Product color(A--Y)
Blank : Natural type
- ⑤ HF : Halogen Free
- ⑥ NK : No Mark
Blank : Mark

Circuits Part No	Dimensions		
	A	B	C
2P	1.50	3.30	4.50
3P	3.00	4.80	6.00
4P	4.50	6.30	7.50
5P	6.00	7.80	9.00
6P	7.50	9.30	10.50
7P	9.00	10.80	12.00
8P	10.50	12.30	13.50
9P	12.00	13.80	15.00
10P	13.50	15.30	16.50
11P	15.00	16.80	18.00
12P	16.50	18.30	19.50
13P	18.00	19.80	21.00
14P	19.50	21.30	22.50
15P	21.00	22.80	24.00

A

B

E

F

A

B

E

F

		GENERAL TOLERANCE		UNIT: mm		DATE		TITLE:		
		.X ± 0.25	Angle ± 2°	DRAWN: 张自豪		2012.06.25		ZH1.50mm		
		.XX ± 0.20		CHECKED:				Housing		
		.XXX ± 0.10		APPROVED: 张彬彬		2012.06.25		VER.	SCALE:	N/A
LTR	NAME	DATE	VERISION RECORD				A1	SHEET:	1/1	

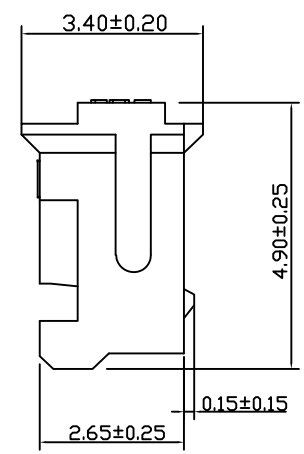
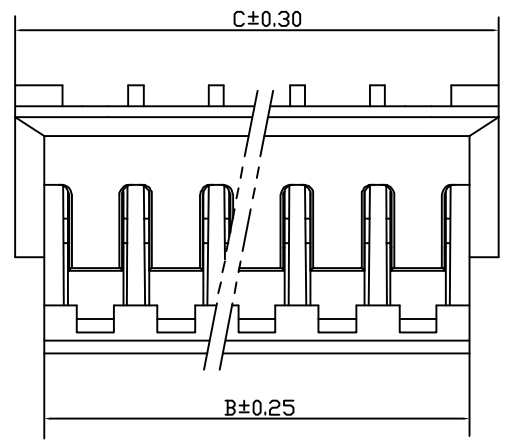
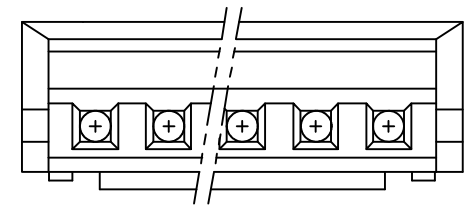
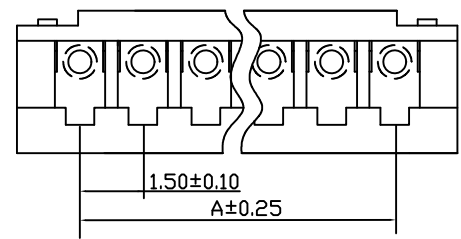
东莞市宏欣蓝电子有限公司

PROJECT PART NO. E1501H00-NPX-HF-XX

DRAWING NO. E1501H

Specifications:
 Rated Voltage : 100V AC/DC
 Rated Current : 1A AC,DC
 Withstand Voltage : 500V AC/minute
 Contact Resistance : 20mΩ(MAX.)
 Insulation Resistance : 500MΩ(MIN.)
 Temperature Range : -25°C~+85°C
 Suitable E1501 Series Housing

Material: Insulator: Nylon 66 UL 94V-0
 Suitable E1501 Series Terminal
 Mates With E1501 Series Wafer



E1501H00-NPX-XX-XX-NK

- ① Series No.
- ② H90 : Side Contact
H00 : Up Contact
- ③ No. of Circuits
- ④ X : Product color(A--Y)
Blank : Natural type
- ⑤ Y : Circular hole type
YZ : 灼热丝750度
- ⑥ HF : Halogen Free
Blank : ROHS
- ⑦ NK : No Mark
Blank : Mark

Circuits Part No	Dimensions		
	A	B	C
2P	1.50	3.30	4.50
3P	3.00	4.80	6.00
4P	4.50	6.30	7.50
5P	6.00	7.80	9.00
6P	7.50	9.30	10.50
7P	9.00	10.80	12.00
8P	10.50	12.30	13.50
9P	12.00	13.80	15.00
10P	13.50	15.30	16.50
11P	15.00	16.80	18.00
12P	16.50	18.30	19.50
13P	18.00	19.80	21.00
14P	19.50	21.30	22.50
15P	21.00	22.80	24.00

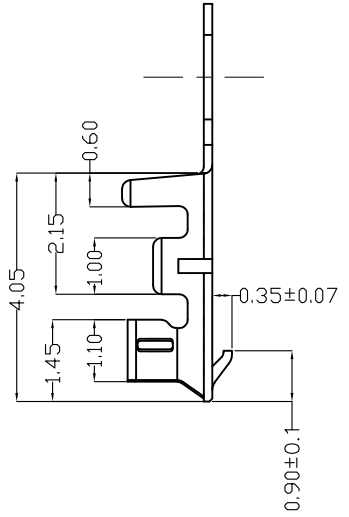
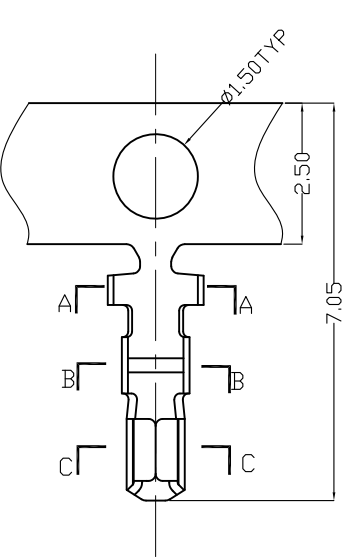
		GENERAL TOLERANCE		UNIT: mm		DATE		TITLE: ZH1.50mm Housing VER. SCALE: N/A A1 SHEET: 1/1		
		.X ± 0.25	Angle ± 2°	DRAWN: 张自豪		2012.06.25				
		.XX ± 0.20		CHECKED:						
LTR	NAME	DATE	VERISION RECORD		.XXX ± 0.10	APPROVED: 张彬彬				

东莞市宏欣蓝电子有限公司

PROJECT	PART NO.	E1501H00-NPX-XX-XX-XX
DRAWING NO.		E1501H-Y

由 Autodesk 教育版产品制作

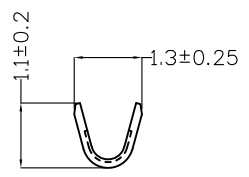
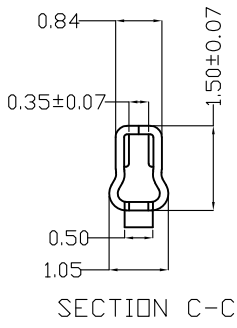
由 Autodesk 教育版产品制作



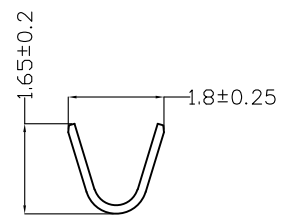
Specifications:
 Rated Voltage : 100V AC/DC
 Rated Current : 1A AC,DC
 Withstand Voltage : 500V AC/minute
 Contact Resistance : 20mΩ(MAX.)
 Insulation Resistance : 500MΩ(MIN.)
 Temperature Range : -25°C~+85°C
 Suitable E1501 Series Housing

E1501 T 0 P-XX-XX
 ① ②③④ ⑤ ⑥

- ① Series No.
- ② T: Terminal
- ③ 9 : Side Contact
0 : Up Contact
- ④ P : Phosphor Bronze
- ⑤ 2E : Tin-plated
- ⑥ NK : No Mark
Blank : Mark



SECTION B-B



SECTION A-A

Specifications & Ordering Information:

Part No.	Wire Range	Insulation O.D.	Material	Finish	Qty/Reel
E1501T0P-0A-NK	AWG #28-32	1.00mm(max)	Phosphor Bronze	Gold-plated 镀半金	20000PCS
E1501T0P-2E-NK	AWG #28-32	1.00mm(max)	Phosphor Bronze	Tin-plated 先冲后镀	20000PCS

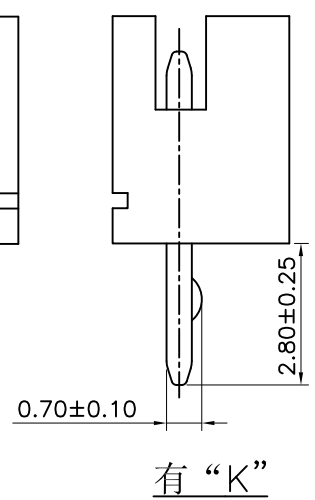
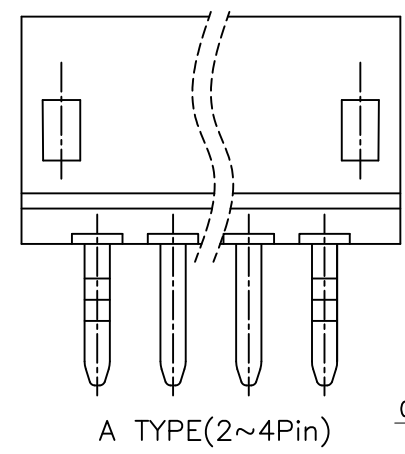
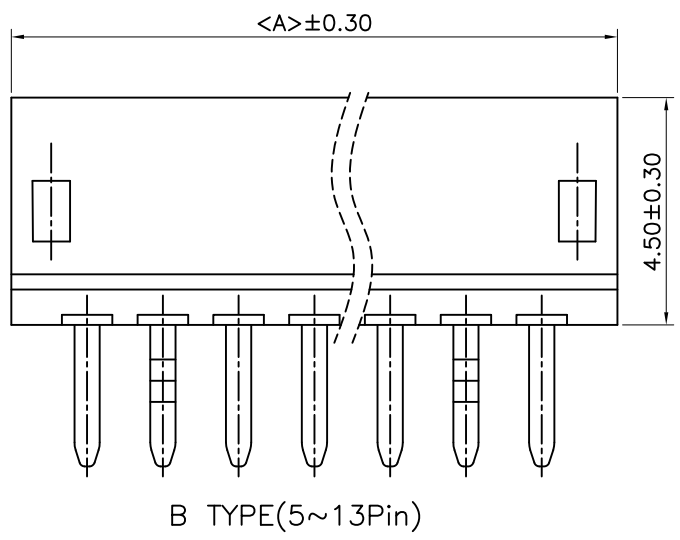
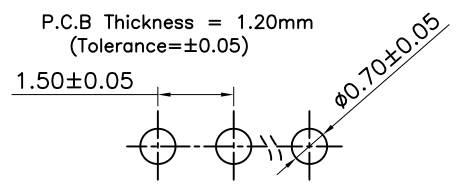
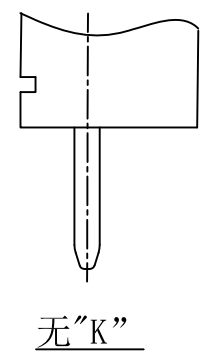
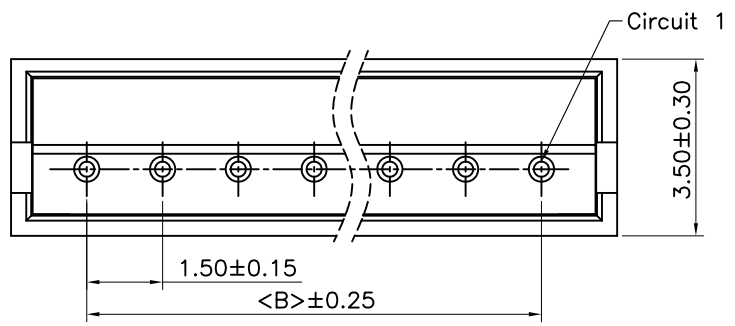
GENERAL TOLERANCE		UNIT: mm	DATE	TITLE:		
.X±0.15	X°±1°	DRAWN: 张自豪	2012.12.05	ZH1.50 Terminal		
.XX±0.10	.X°±	CHECKED:		VER.	SCALE:	N/A
.XXX±0.05	.XX°±	APPROVED: 张彬彬	2012.12.05	A2	SHEET:	1/1

东莞市宏欣蓝电子有限公司

△	张自豪	2021.11.17	更改线径0.D.
LTR	NAME	DATE	VERISION RECORD

PROJECT	PART NO.	E1501T0P-XX-XX
DRAWING NO.		E1501T

Specifications:
 Current rating:1A AC/DC.
 Voltage rating:1000V AC/DC
 Temperature range:-40°C~+105°C.
 Contact resistance:20MΩ Max.
 Insulation resistance:500MΩ Min.
 Withstanding voltage: 500V AC/minute.
 Material:PA66+GF15.UL94V-0.



Ordering Informaiton&Dimensions:

PART NO.	Dimensions	
	A	B
E1501W00-02P	4.50	1.50
E1501W00-03P	6.00	3.00
E1501W00-04P	7.50	4.50
E1501W00-05P	9.00	6.00
E1501W00-06P	10.50	7.50
E1501W00-07P	12.00	9.00
E1501W00-08P	13.50	10.50
E1501W00-09P	15.00	12.00
E1501W00-10P	16.50	13.50
E1501W00-11P	18.00	15.00
E1501W00-12P	19.50	16.50
E1501W00-13P	21.00	18.00

△				GENERAL TOLERANCE	UNIT: mm	DATE	TITLE: ZH1.5mm DIP 180° Wafer VER. SCALE: N/A A SHEET: 1/1			
△				.X±0.30	X°±1°	DRAWN: 朱佑武				2013.09.09
△				.XX±0.20	.X°±	CHECKED: 张自豪				2013.09.09
△				.XXX±0.10	.XX°±	APPROVED: 张自豪				2013.09.09
LTR	NAME	DATE	VERISION RECORD							

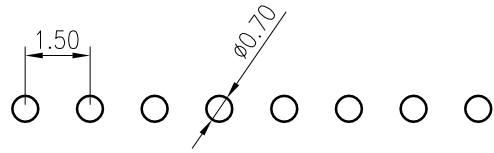
东莞市宏蓝电子有限公司

PROJECTION	PART NO.	E1501W00-NP
	DRAWING NO.	E1501W00

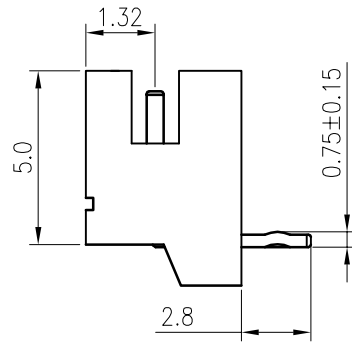
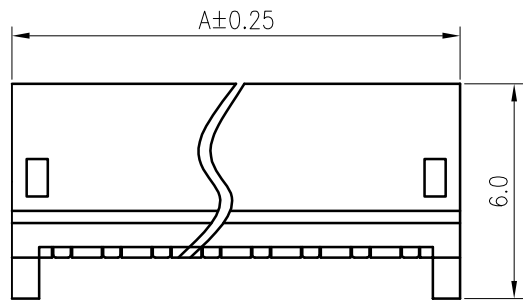
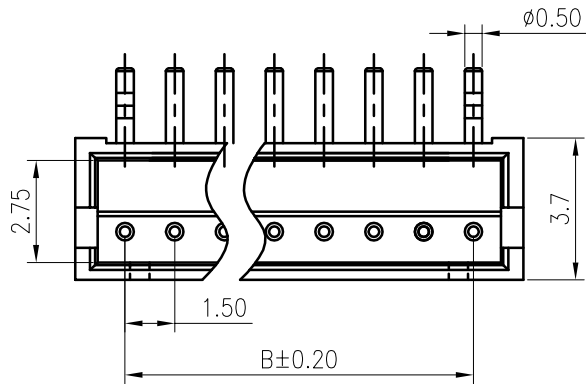
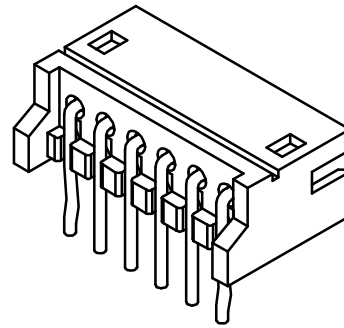
由 Autodesk 教育版产品制作

由 Autodesk 教育版产品制作

RoHS
COMPLIANT



P.C.B LAYOUT



◆SPECIFICATIONS

- Current rating: 1A AC, DC
- Voltage rating: 100V AC,DC
- Temperature range: -40°C ~ +105°C
- Insulation resistance: 500MΩ Min.
- Withstanding voltage: 500V AC/ minute.
- Contact resistance: 20mΩ Max.

Material:

Insulator: PA66 or PA46 UL 94V-0
Contact: Brass
Plating: Tin plated over Nickel
Mates with E1501 series housing

pin NO.	A	B
2P	4.50	1.50
3P	6.00	3.00
4P	7.50	4.50
5P	9.00	6.00
6P	10.50	7.50
7P	12.00	9.00
8P	13.50	10.50
9P	15.00	12.00
10P	16.50	13.50
11P	18.00	15.00
12P	19.50	16.50
13P	21.00	18.00



MARK

1

2

3

4

5

6

7

8

9

TOLERANCE

X.X ±0.30
X.XX ±0.20
X.XXX ±0.10
Angle ±2°

TITLE:

ZH1.5 DIP 90° Wafer
打K

UNIT: mm

SCALE: N/A

DRAWN: 张自豪 2020.03.10

CHECKED:

APPROVED:

SHEET: 1/1

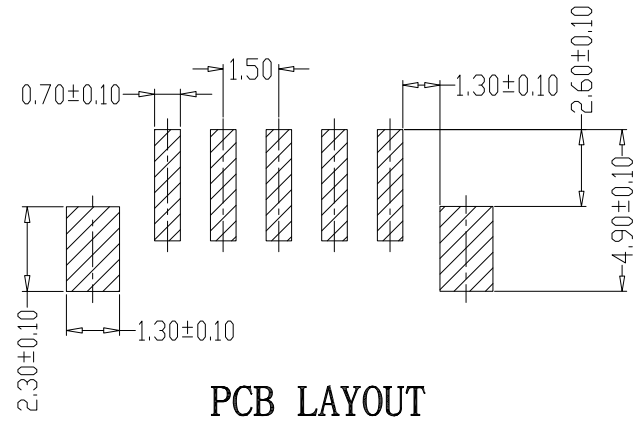
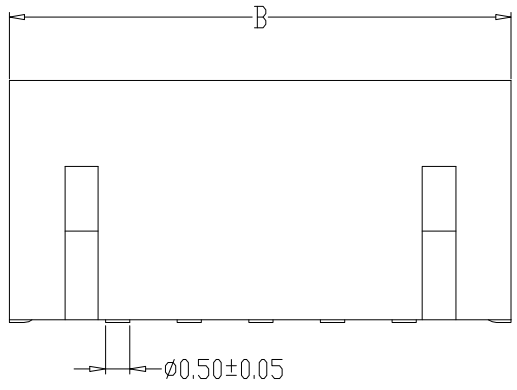
PROJECTION

东莞市宏欣蓝电子有限公司

PART NO.: E1501W90-NP-X X X XX

REV.: A1

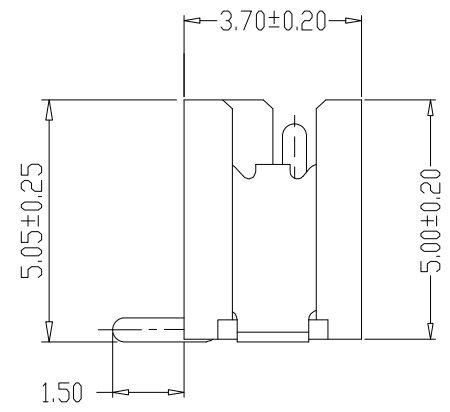
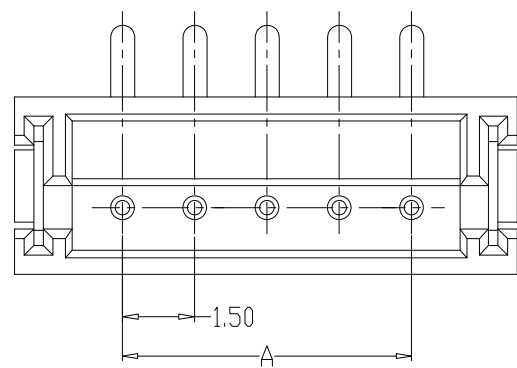
DRAWING NO.: E1501W90-NP-xxxxx



PCB LAYOUT

■ SPECIFICATION

- 1、Current Rating: 1A AC, DC
- 2、Voltage Rating: 100V AC, DC
- 3、Temperatuer Range: -25℃~+85℃
- 4、Contact Resistance: 20mΩ Max
- 5、Insulation Resistance: 500mΩ Min
- 6、Withstanding Voltang: 500V AC/minute
- 7、Material: PA9T UL 94V-0
PIN Brass Tin-plated
Solder tads Phosphoric copper Tin-plated



Ordering code:

E1501W00-NP-S X X X XX
①②③④

- ① N=Halogen Free R=RoHS
- ② Material: 9=Nylon 9T L=LCP
- ③ Color: B=Black E=Beige
- ④ Plating code: T1=Tin plated
G1=Gold-flash

CKT.	A	B
02	1.50	6.00
03	3.00	7.50
04	4.50	9.00
05	6.00	10.50
06	7.50	12.00
07	9.00	13.50
08	10.50	15.00
09	12.00	16.50
10	13.50	18.00
11	15.00	19.50
12	16.50	21.00
13	18.00	22.50
14	19.50	24.00
15	21.00	25.50
16	22.50	27.00

VERSION RECORD				GENERAL TOLERANCE		UNIT: mm		DATE	
④				.X±0.30	X° ±1°	DRAWN:	朱佑武	2014.3.26	
③				.XX±0.20	.X° ±	CHECKED:	张自豪	2014.3.26	
②				.XXX±0.10	.XX° ±	APPROVED:	张自豪	2014.3.26	
①									
LTR	NAME	DATE	VERISION RECORD						

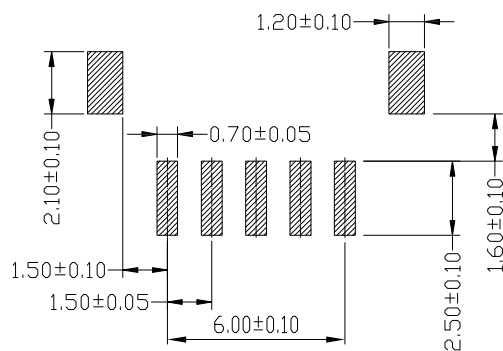
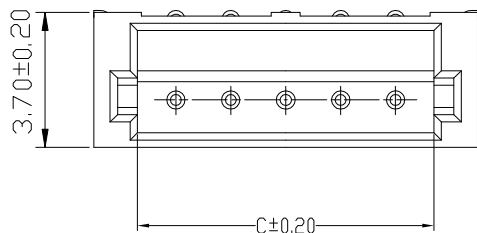
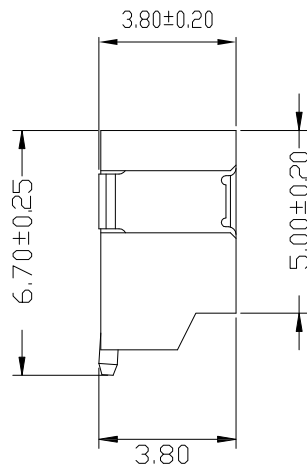
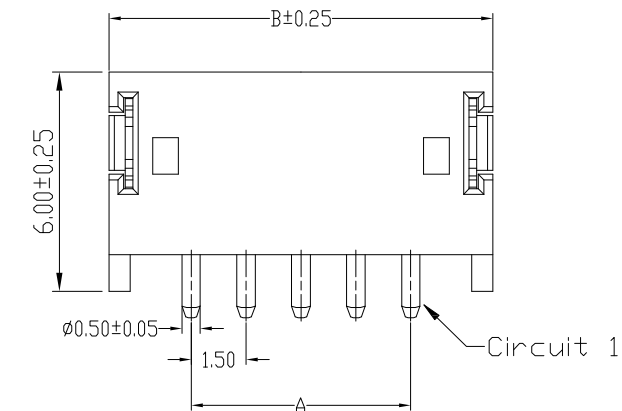
TITLE: JST ZH1.5 SMT 180° Wafer 05P		
VER.	SCALE:	N/A
A	SHEET:	1/1

东莞市宏欣蓝电子有限公司

PROJECTION	PART NO.	E1501W00-NP-SR9ET1
DRAWING NO.	E1501W00-NP-SXXXXX	

■ SPECIFICATION

- 1、Current Rating: 1A AC, DC
- 2、Voltage Rating: 100V AC, DC
- 3、Temperatuer Range: -25°C~+85°C
- 4、Contact Resistance: 20mΩ Max
- 5、Insulation Resistance: 500mΩ Min
- 6、Withstanding Voltang: 500V AC/minute
- 7、Material: PA9T UL 94V-0
PIN Brass Tin-plated
Solder tads Phosphoric copper Tin-plated



SUGGESTED PCB LAYOUT
(COMPONENT SIDE)

Ordering code:

11501W90-NP-S X X X XX

①②③④

- ① N=Halogen Free R=RoHS
- ② Material: 9=Nylon 9T L=LCP
- ③ Color: B=Black E=Beige
- ④ Plating code: T1=Tin plated

G1=Gold-flash

CKT.	A	B	C
02	1.50	6.00	3.60
03	3.00	7.50	5.10
04	4.50	9.00	6.60
05	6.00	10.50	8.10
06	7.50	12.00	9.60
07	9.00	13.50	11.10
08	10.50	15.00	12.60
09	12.00	16.50	14.10
10	13.50	18.00	15.60
11	15.00	19.50	17.10
12	16.50	21.00	18.60
13	18.00	22.50	20.10
14	19.50	24.00	21.60
15	21.00	25.50	23.10
16	22.50	27.00	24.60

④				GENERAL TOLERANCE	UNIT: mm	DATE	TITLE:
③				.X±0.30	X° ±1°	2014.3.26	JST ZH1.5 SMT 90°
②				.XX±0.20	.X° ±	2014.3.26	Wafer
①				.XXX±0.10	.XX° ±	2014.3.26	VER. SCALE: N/A
LTR	NAME	DATE	VERISION RECORD	APPROVED: 张自豪			VER. SCALE: N/A
							A SHEET: 1/1

东莞市宏欣蓝电子有限公司		
PROJECTION	PART NO.	11501W90-NP-SXXXXX
	DRAWING NO.	11501W90-NP-SXXXXX

由 AUTODESK 学生版生成

由 AUTODESK 学生版生成